

NEW FROM UCAN

FASTENING PRODUCTS

FEATURES

- Pre-assembled with expander plug
- Lip offers flush installation
- Shallow embedment design

TYPICAL APPLICATIONS

- Overhead fastenings into hollow core pre-cast and post tensioned slabs

LIMITATIONS

- Not recommended for uncured concrete (less than 7 days old), lightweight concrete or brick

INSTALLATION DATA

Anchor Size	Drill Size	Emb.
Inch	Inch	Inch
3/8	1/2	3/4

AVERAGE ULTIMATE LOADS IN 4,000 PSI CONCRETE

Tension		Shear	
Lbs	KN	Lbs	KN
2120	9.43	2950	13.12

UCAN FASTENING PRODUCTS

155 Champagne Drive, Unit 10
Toronto, Ont., M3J 2C6 Canada

TEL.: 416-631-9400
FAX: 416-631-9426

E-MAIL: sales@ucanfast.com
www.ucanfast.com

U.S.A.
TEL.: (800) 461-8226

STUBi DROP-IN ANCHOR

3/8" Short Drop-In Anchor for Hollow Core Slabs

DESCRIPTION

The **UCAN STUBi Drop-in Anchor** is an internally threaded, flush mounted expansion anchor for shallow embedment anchoring applications (3/4"). The STUBi anchor is pre-assembled with an internal expander plug and is zinc plated.

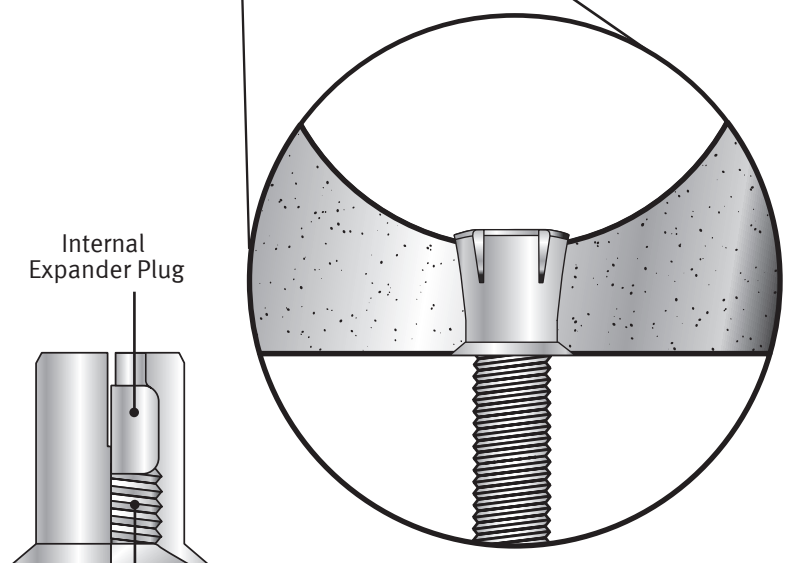
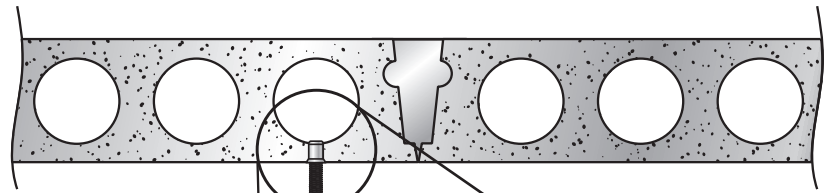
The matching UCAN setting tool provides correct setting every time. The anchor is designed to provide reliable fastening in hollow core panels, pre-cast and post tension slabs.

UCAN STUBi DROP-IN ANCHOR

Part No.	Thread Size	Drill Size	Pkg. Qty.	Case Qty.	Case Wt.	Price/C
DIS 3812	3/8"	1/2"	100	1000	32lbs	\$50.00

SETTING TOOL FOR STUBi

Part No.	Anchor Size	Price/Each
DISST	3/8"	\$7.00



UNC 3/8-16 thread

Overhead Core-slab
Application Shown

NOW AVAILABLE FROM STOCK